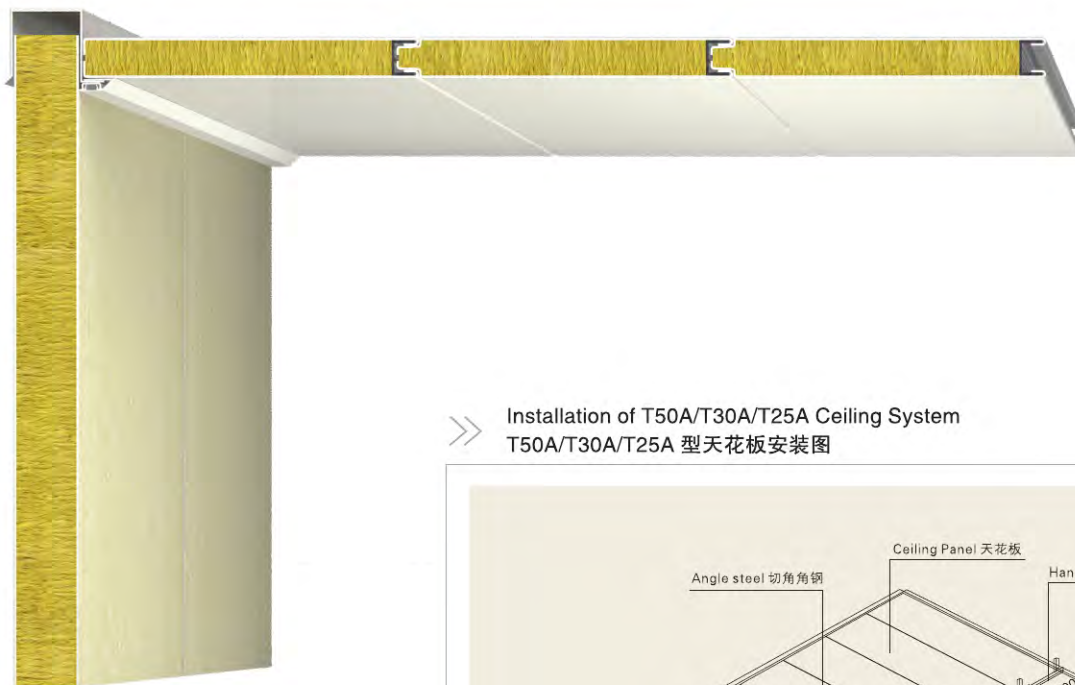
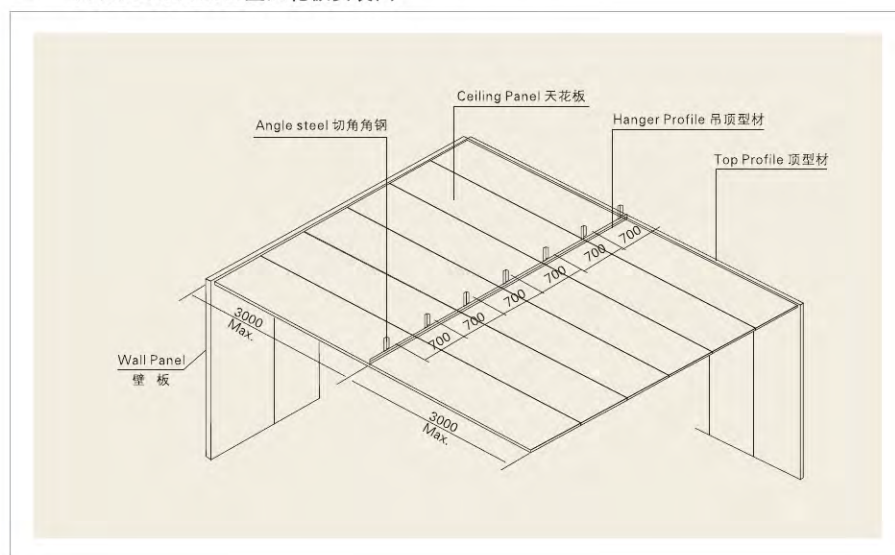


T50A ,T30A ,T25A

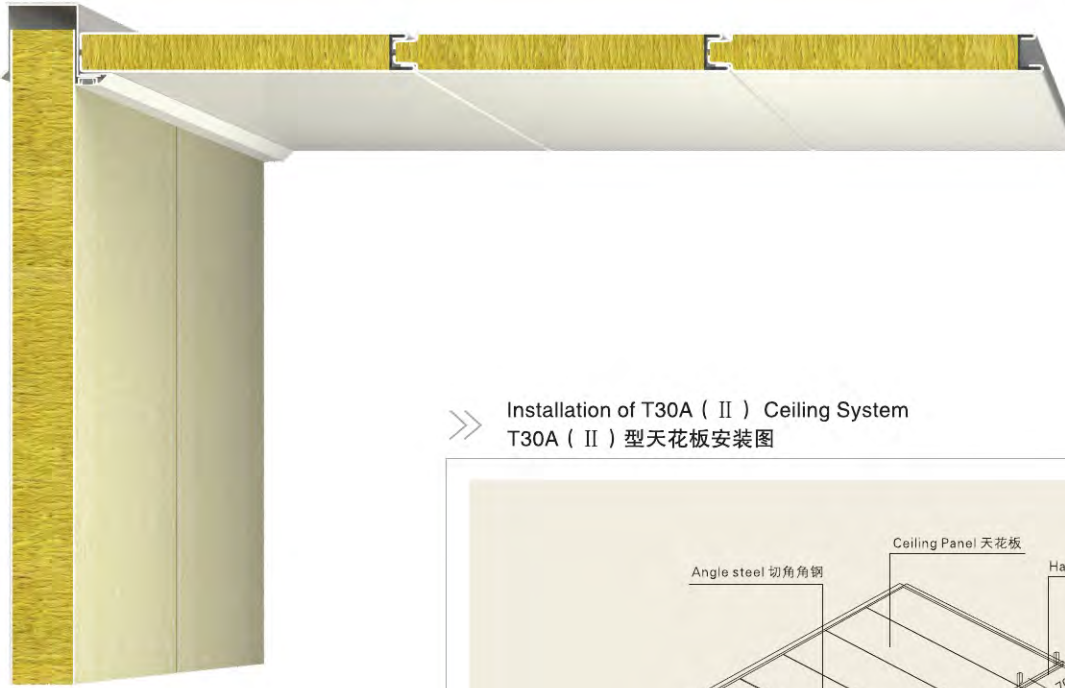


Installation of T50A/T30A/T25A Ceiling System
T50A/T30A/T25A 型天花板安装图

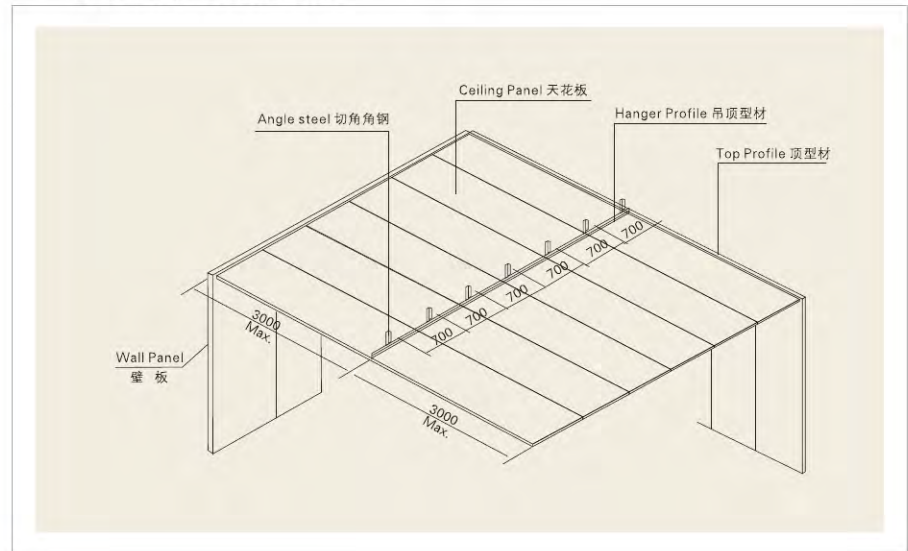


Type	T50A	T30A	T25A
Fire class	B-15	B-15/B-0	B-0
Weight	16.0kg/m ²	13.5kg/m ²	12.9kg/m ²
Sound reduction	--dB	--dB	--dB
Thermal transmittance	0.58Kcal/m ² h°C	1.10Kcal/m ² h°C	1.14Kcal/m ² h°C
Core material	Rock wool 150kg/m ³		
Surface finish	PVC film(150 μ , low flame spread) or galvanized steel		
Dimension	25/30/50mm (t) × 550 mm (w) × length (max.3000mm)		
Tolerances	Thickness ⁰ ₋ , × Width ⁰ ₋ , × Length ±3		

T30A (II)

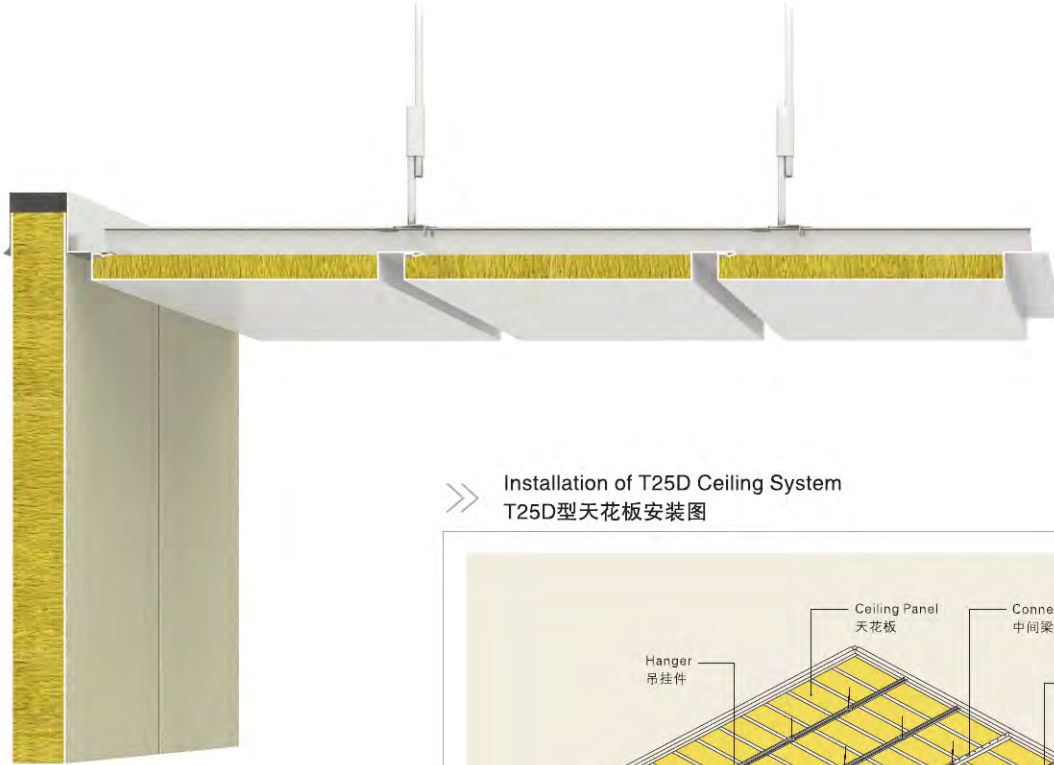


Installation of T30A (II) Ceiling System
T30A (II) 型天花板安装图

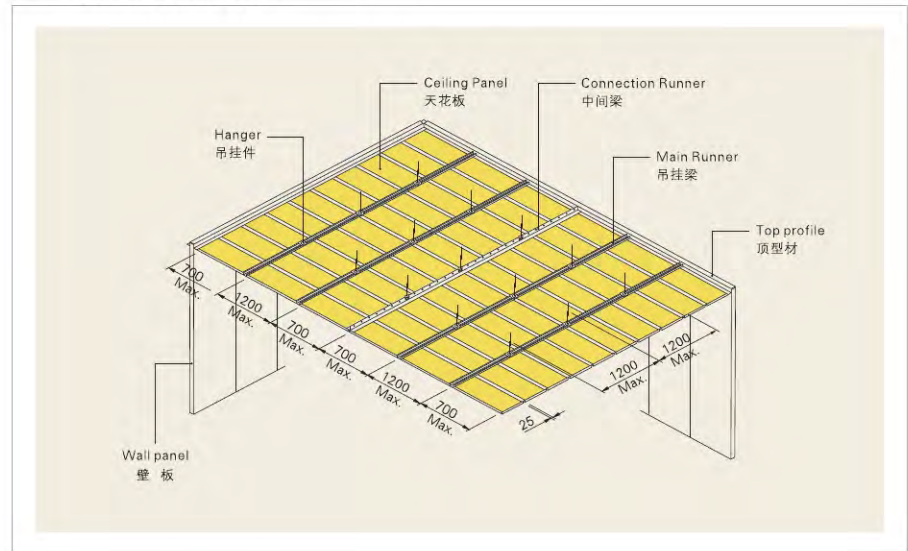


Type	T30A (II)
Fire class	B-15
Weight	14.7kg/m ²
Sound reduction	--dB
Thermal transmittance	1.10Kcal/m ² h°C
Core material	Rock wool 150kg/m ³
Surface finish	PVC film(150μ, low flame spread) or galvanized steel
Dimension	30mm (t) × 550mm (w) × length (max.3000mm)
Tolerances	Thickness ⁰ ₋₁ × Width ⁰ ₋₁ × Length ± 3

T25D

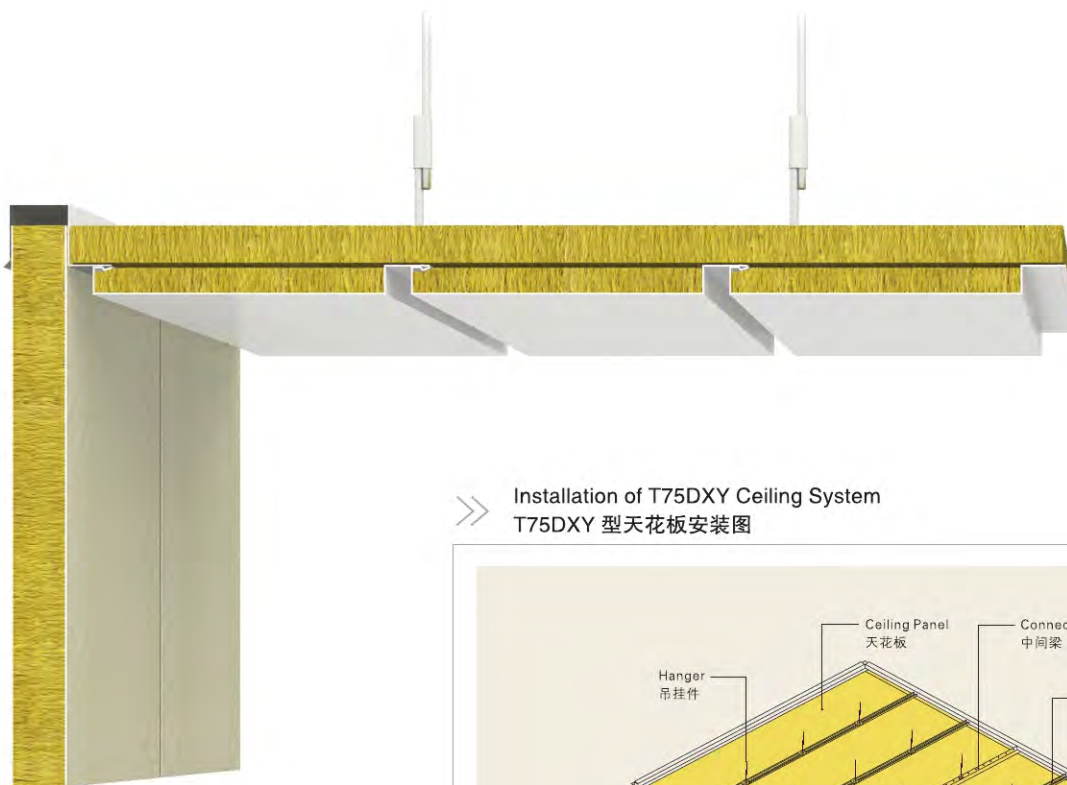


Installation of T25D Ceiling System
T25D型天花板安装图

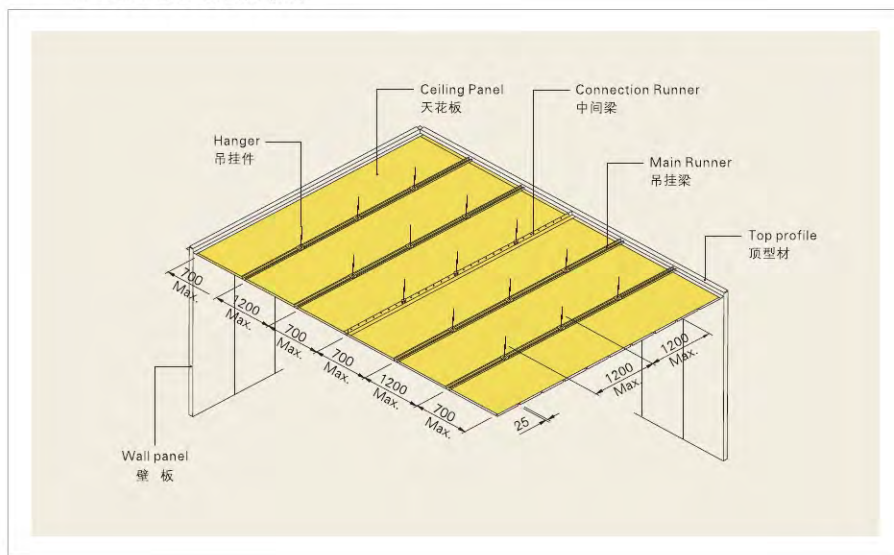


Type	T25D
Fire class	B-0
Weight	7.9kg/m ²
Sound reduction	--
Thermal transmittance	1.36Kcal/m ² h°C
Core material	Rock wool 80kg/m ³
Surface finish	PVC film(150 μ ,low flame spread) or galvanized steel
Dimension	25mm (t) × 300mm (w) × length (max.3900mm)
Tolerances	Thickness ⁰ ₋₁ × Width ⁰ ₋₁ × Length ± 3

T75DXY



Installation of T75DXY Ceiling System
T75DXY 型天花板安装图

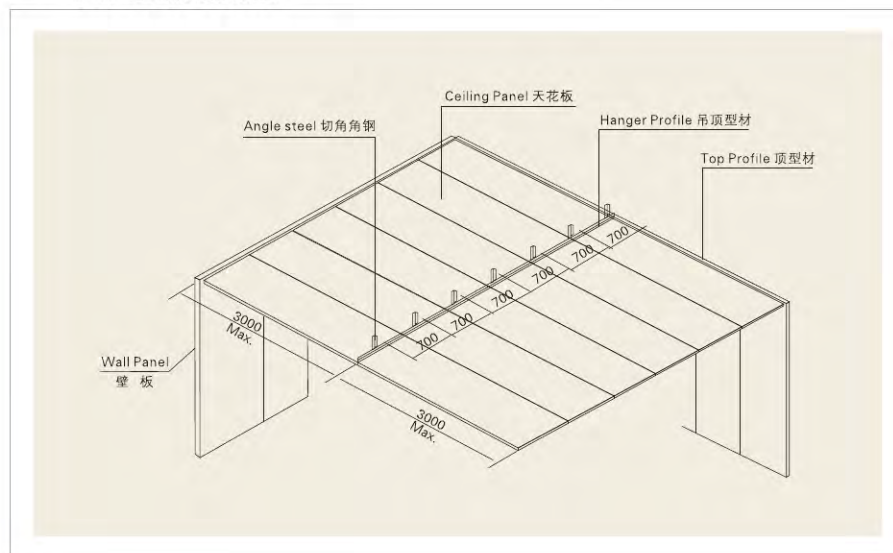


Type	T75DXY
Fire class	B-15
Weight	12.7kg/m ²
Noise Reduction Coefficient	0.85
Thermal transmittance	0.40Kcal/m ² h°C
Core material	Rock wool 80/150kg/m ³
Surface finish	PVC film(150 μ, low flame spread) or galvanized steel
Dimension	75mm (t) × 300mm (w) × length (max.3900mm)
Tolerances	Thickness ⁰ , × Width ⁰ , × Length ± 3

T25P

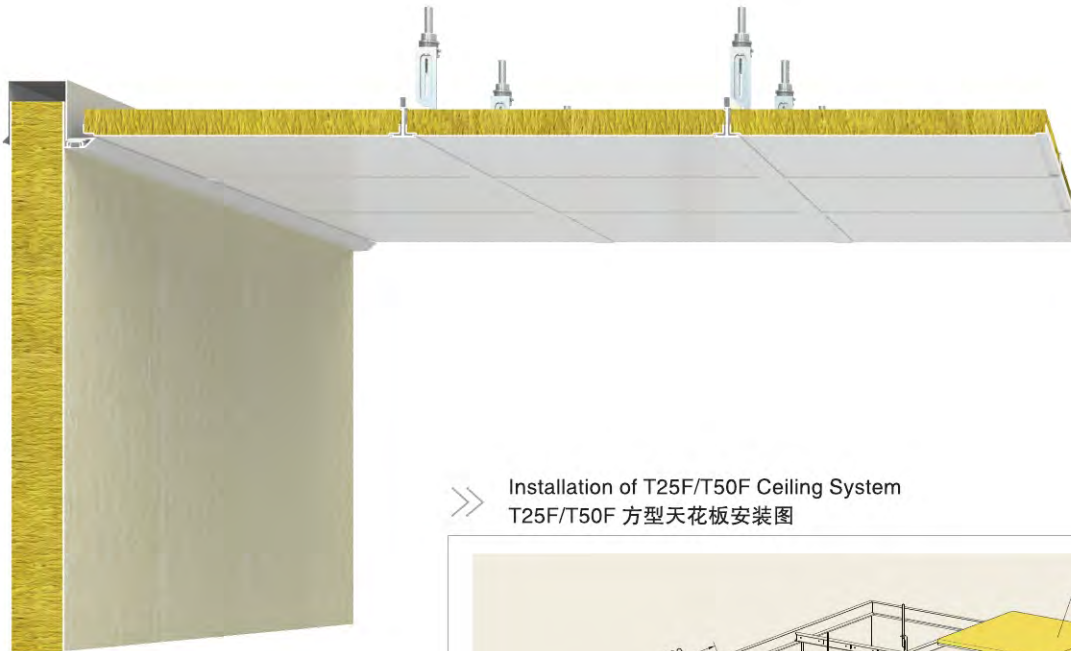


Installation of T25P Ceiling System
T25P 型天花板安装图

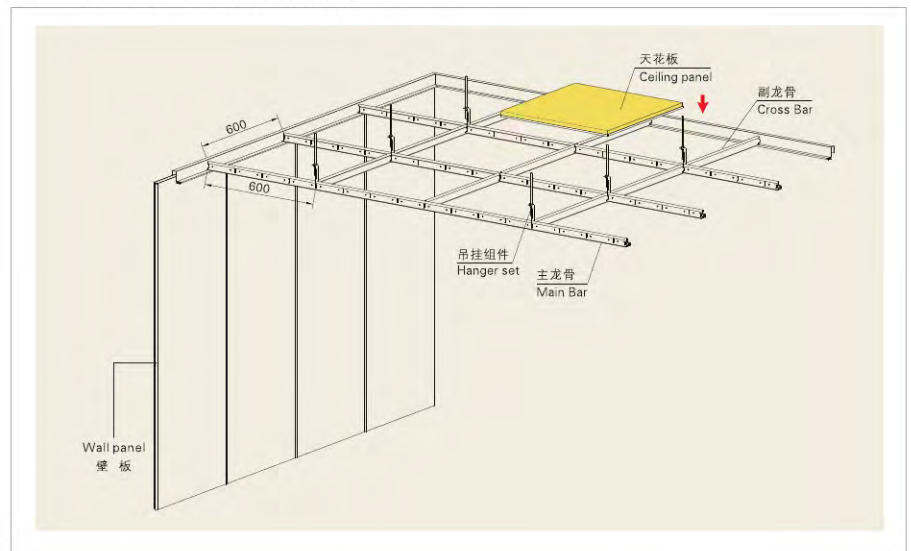


Type	T25P
Fire class	B-0
Weight	8.4kg/m ²
Sound reduction	--
Thermal transmittance	1.36Kcal/m ² h°C
Core material	Rock wool 80kg/m ³
Surface finish	PVC film(150μ, low flame spread) or galvanized steel
Dimension	25mm (t) × 300mm (w) × length (max.2400mm)
Tolerances	Thickness ⁰ ₋₁ × Width ⁰ ₋₁ × Length ± 3

T25F, T50F



Installation of T25F/T50F Ceiling System
T25F/T50F 方型天花板安装图



Type	T25F	T50F
Fire class	B-0	B-15
Weight	6.8kg/m ²	8.8kg/m ²
Sound reduction	--	--
Thermal transmittance	1.36Kcal/m ² h°C	0.89Kcal/m ² h°C
Core material	Rock wool 80kg/m ³	
Surface finish	PVC film(150 μ ,low flame spread) or galvanized steel	
Dimension	25/50mm (t) × 600 mm (w) × 600 mm (l)	
Tolerances	Thickness ⁰ ₋₁ × Width ⁰ ₋₁ × Length ± 3	